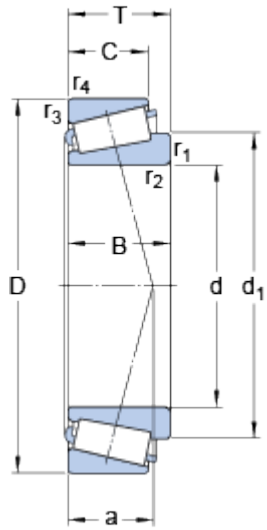


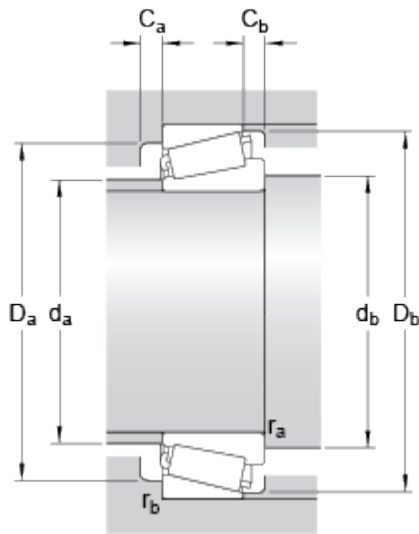
33015/Q

Dimensions



d		75	mm
D		115	mm
T		31	mm
d ₁	≈	95	mm
B		31	mm
C		25.5	mm
r _{1,2}	min.	1.5	mm
r _{3,4}	min.	1.5	mm
a		23	mm

Abutment dimensions



d _a	max.	84	mm
d _b	min.	82	mm
D _a	min.	104	mm
D _a	max.	108	mm
D _b	min.	110	mm
C _a	min.	6	mm
C _b	min.	5.5	mm
r _a	max.	1.5	mm
r _b	max.	1.5	mm

Calculation data

Basic dynamic load rating	C	134	kN
Basic static load rating	C ₀	228	kN
Fatigue load limit	P _u	26	kN
Reference speed		4000	r/min
Limiting speed		5300	r/min
Calculation factor	e	0.3	
Calculation factor	Y	2	

Calculation factor

Y_0

1.1

Mass

Mass bearing

1.178

kg